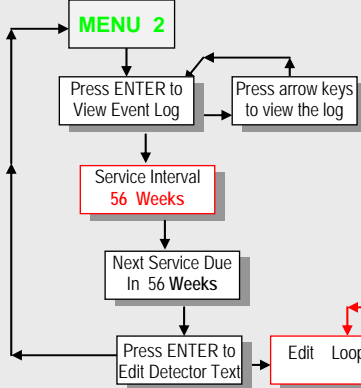
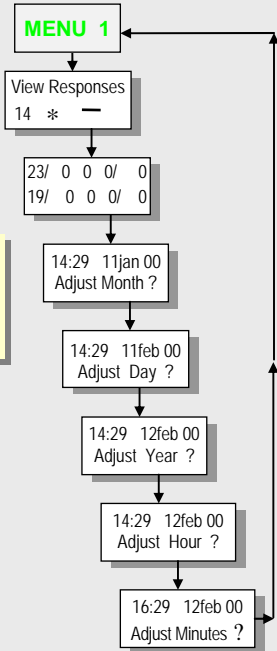


The items shown in RED are usually all you need to do at installation

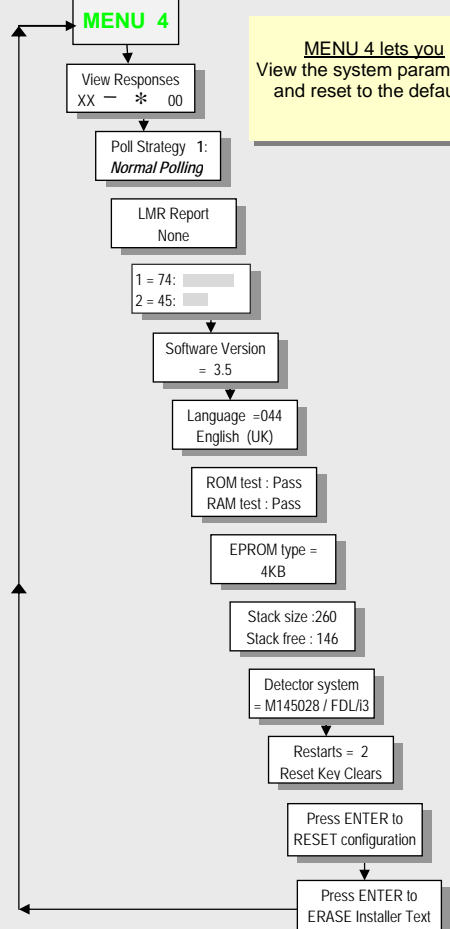
MENU 1 lets you
View each detector
View the FIRE-GRAPH
Set Clock & calendar



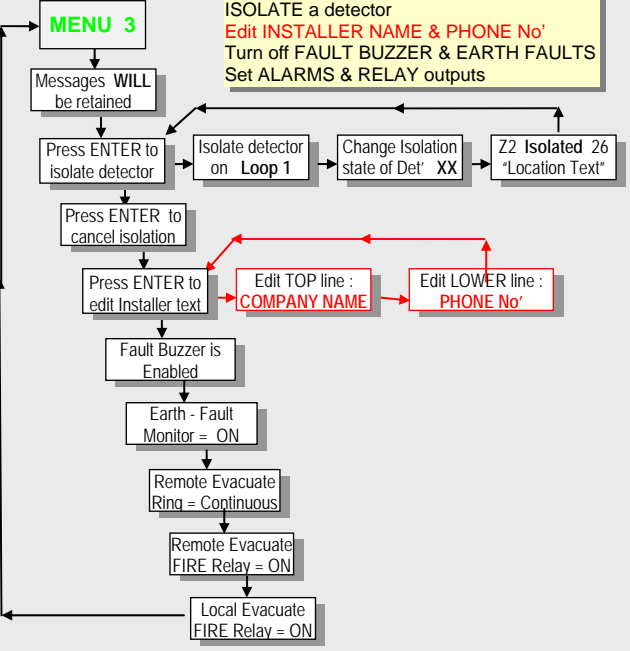
MENU 2 lets you
View the EVENT LOG
Set the SERVICE REMINDER
Enter the DETECTOR TEXT



MENU 4 lets you
View the system parameters
and reset to the defaults



MENU 3 lets you
Keep or Remove the last FAULT message
ISOLATE a detector
Edit INSTALLER NAME & PHONE No'
Turn off FAULT BUZZER & EARTH FAULTS
Set ALARMS & RELAY outputs



MENU 5 lets you
Set-up and view the operation
of the system accessories

