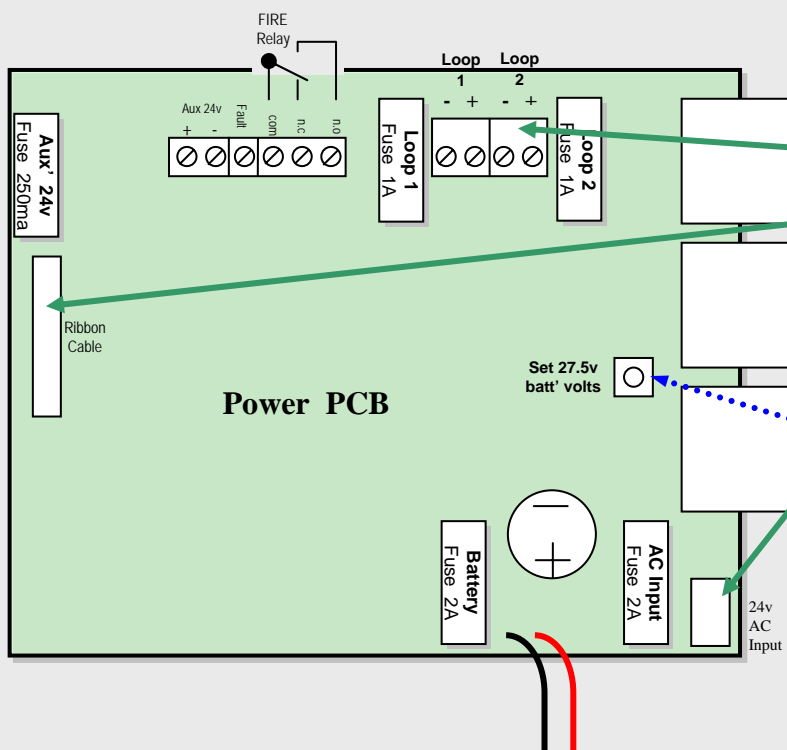


## Replacing the Firepoint-2 Power Pcb



1. De-power the system (mains & battery)
2. Remove the Loop 1 & 2 wires
3. Unplug the ribbon cable
4. Disconnect the 24v ac input wires
5. Remove the 5 retaining nuts
6. Remove old pcb
7. Fit new pcb
8. Refit retaining nuts and wiring in 2,3,4,5 above
9. Power up the system (mains only)
10. Set charging voltage on battery wires to 27.5v
11. Connect Battery Wires to the Battery

FirePoint-2



Lloyds Alarms Ltd  
 3 Connaught Business Centre  
 Malham Rd, London SE23 1AH  
 Phone. 020- 8699 8599 Fax. 020- 8699 9290