

Connecting the Fireray 2000 Point-to-Point smoke beam to a Firepoint-2 system



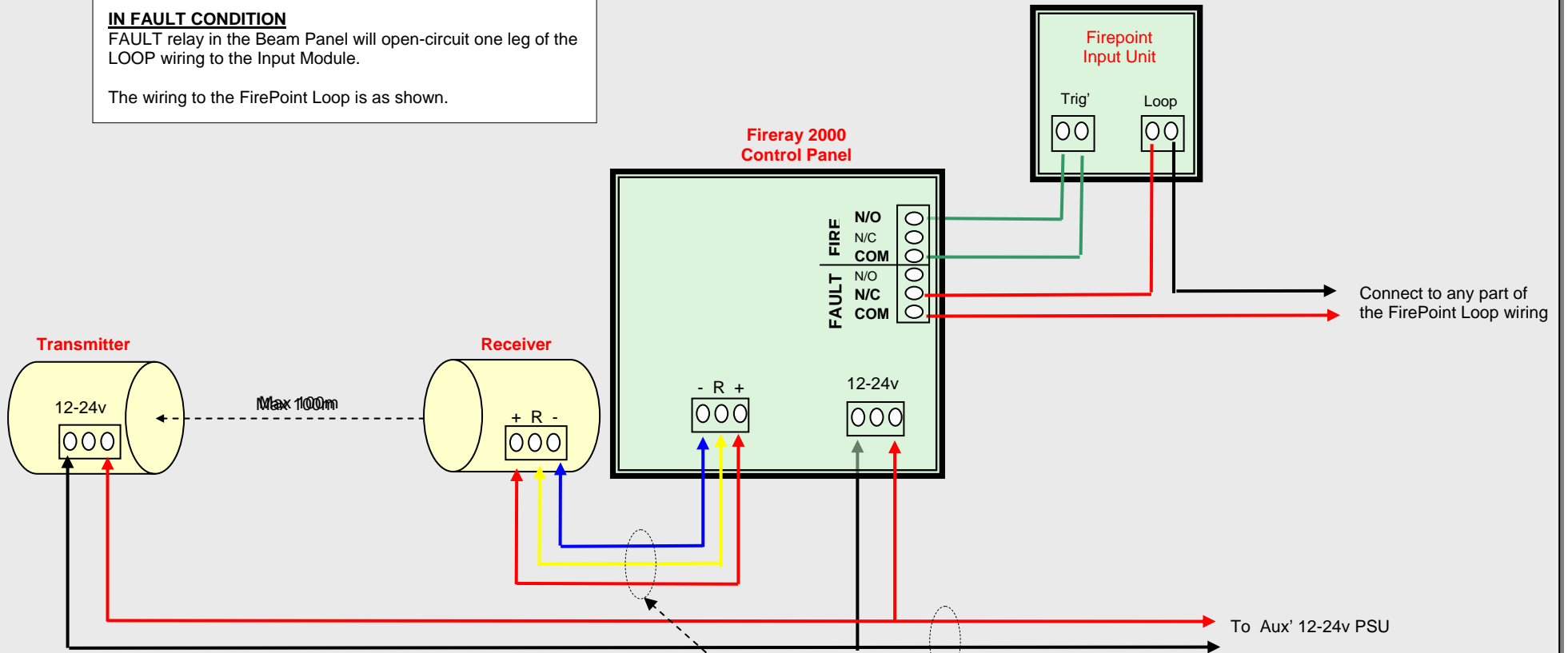
Principle of operation.

IN FIRE CONDITION
The FIRE relay in the Beam Panel should put a short-circuit on the TRIGGER terminals of the Input Module.

IN FAULT CONDITION
FAULT relay in the Beam Panel will open-circuit one leg of the LOOP wiring to the Input Module.

The wiring to the FirePoint Loop is as shown.

Fit the Input Module adjacent to (or inside) the Fireray control panel



The wiring from the PSU to the 2000 Panel & TX can be BT or burglar alarm type.

The wiring between the Fireray 2000 control panel and the Fireray receiver unit should be 3-core screened cable.

Connecting the FIRERAY 50/100R Reflective smoke beam to a Firepoint-2 system

Principle of operation.

IN FIRE CONDITION
 The FIRE relay in the Beam should put a short-circuit on the TRIGGER terminals of the Input Module.

IN FAULT CONDITION
 FAULT relay in the Beam will open-circuit one leg of the LOOP wiring to the Input Module.

Confirm for yourself the wiring colours on the Fireray 50/100R are actually as shown on this drawing.

IMPORTANT. The beam must be set to "Auto Reset" operation (see page 7/8)

