

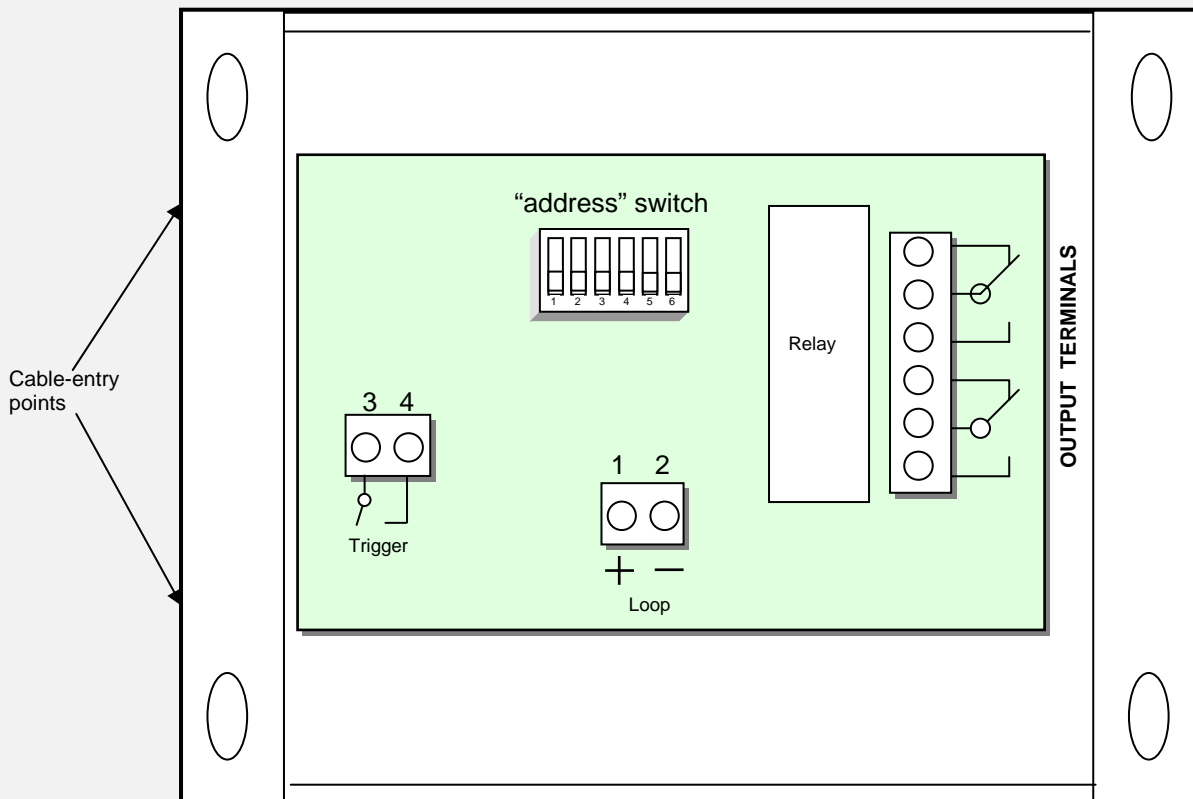


**Lloyds Alarms Ltd**

3 Connaught Business Centre  
Malham Rd, London SE23 1AH  
Phone. 020- 8699 8599

**FP2-IU-RLA (in abs box)**

**Combined Input Unit & Interface Relay**



**FP2-IU-RLA. Addressable Input – Output Unit**

1. Connect the “Loop” wiring to terminals 1 and 2.
2. Connect the “Trigger” input to 3 and 4 (normally-open). When 3 and 4 are made short circuit the unit will go into alarm.  
Note !. The Trigger input should be a volt-free source such as “dry” relay contacts
3. If the unit is being used only to monitor some wiring there is no need to connect anything to 3 and 4.
4. The relay output contacts are “volt-free” rated at 240v 5amp. The contacts will change-over when the fire alarm system goes into alarm condition, and will change back when the alarm is “Silenced”

**FirePoint-2**