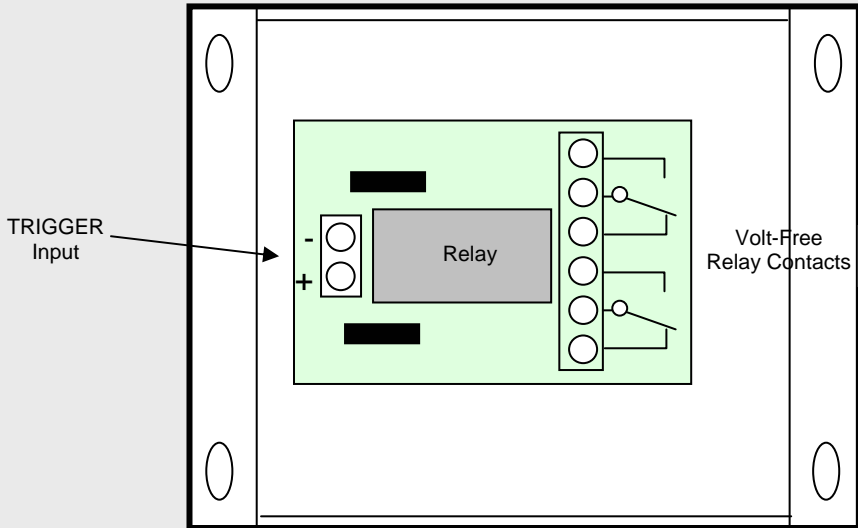


**Connection information for Interface Relay
Fitted in abs moulded box**

Connect the detector "Loop" wires to the "TRIGGER" input terminals.
When the control panel goes into FIRE condition the relay contacts will change-over; -
when the alarm condition is reset the relay contacts will change back.



The interface relay has 2 sets of "volt-free" changeover contacts rated 240v @ 3A

If the Relay Unit is fitted on the very end of a wiring run it will not be monitored by the control panel, so an "addressable" device, i.e. smoke detector, call-point, or Input Unit should be fitted adjacent to it; it will then be monitored.

