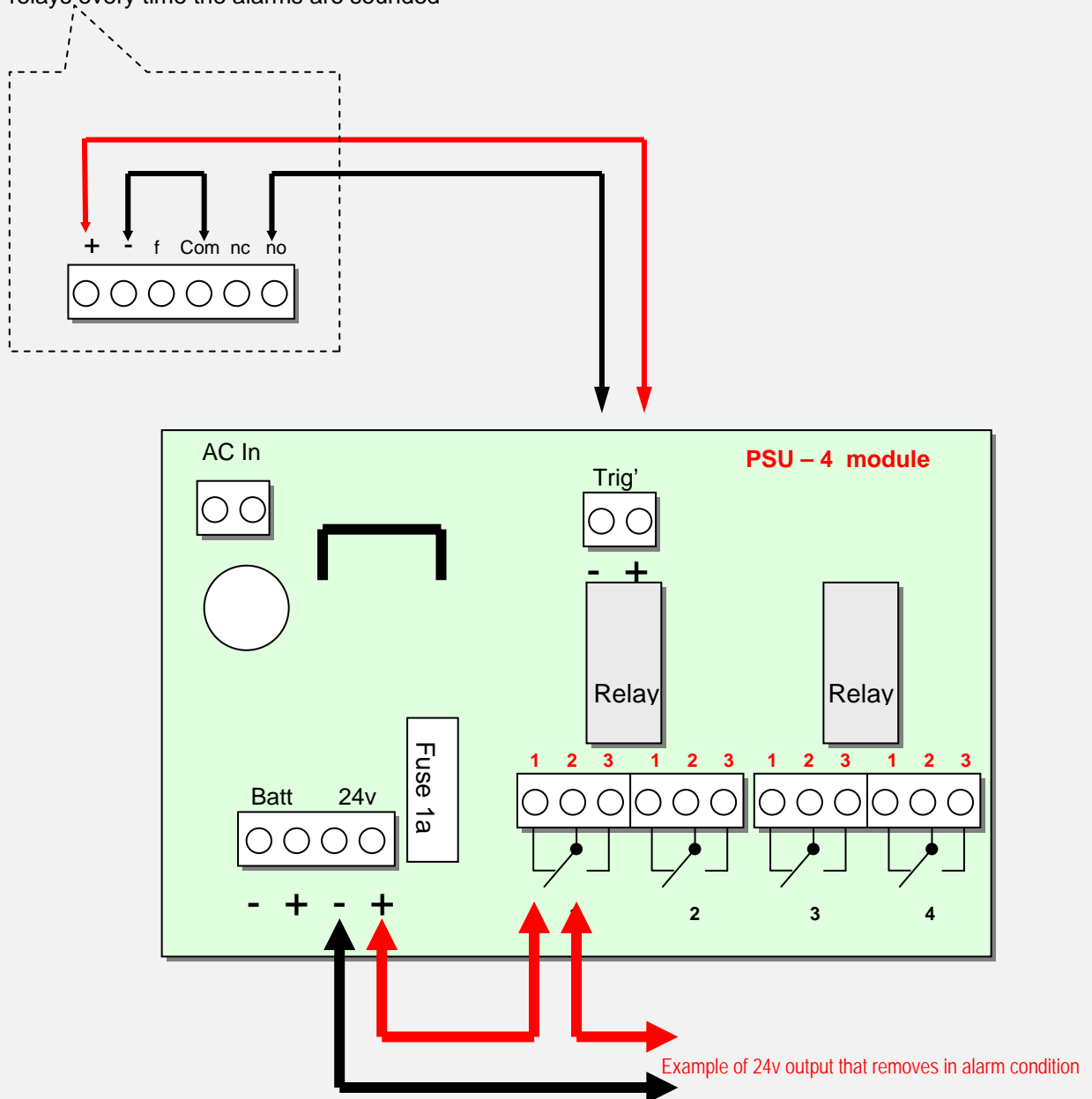


**Connections for PSU-4  
(24v PSU with 4 x sets of relay contacts)**

These are the terminals in the FirePoint control panel; by connecting as shown here the installation can be "walk-tested" without tripping the PSU-4 relays every time the alarms are sounded



There are 4 sets of volt-free changeover relay contacts rated 240v @ 3amp. In standby mode the contacts are as shown.

When any 24v DC is applied to the Trig' terminals the relay contacts will changeover.

The example connections shown above would be suitable for a "fail-safe" lock release.

The "Battery" output is for 24v rechargeable batteries.