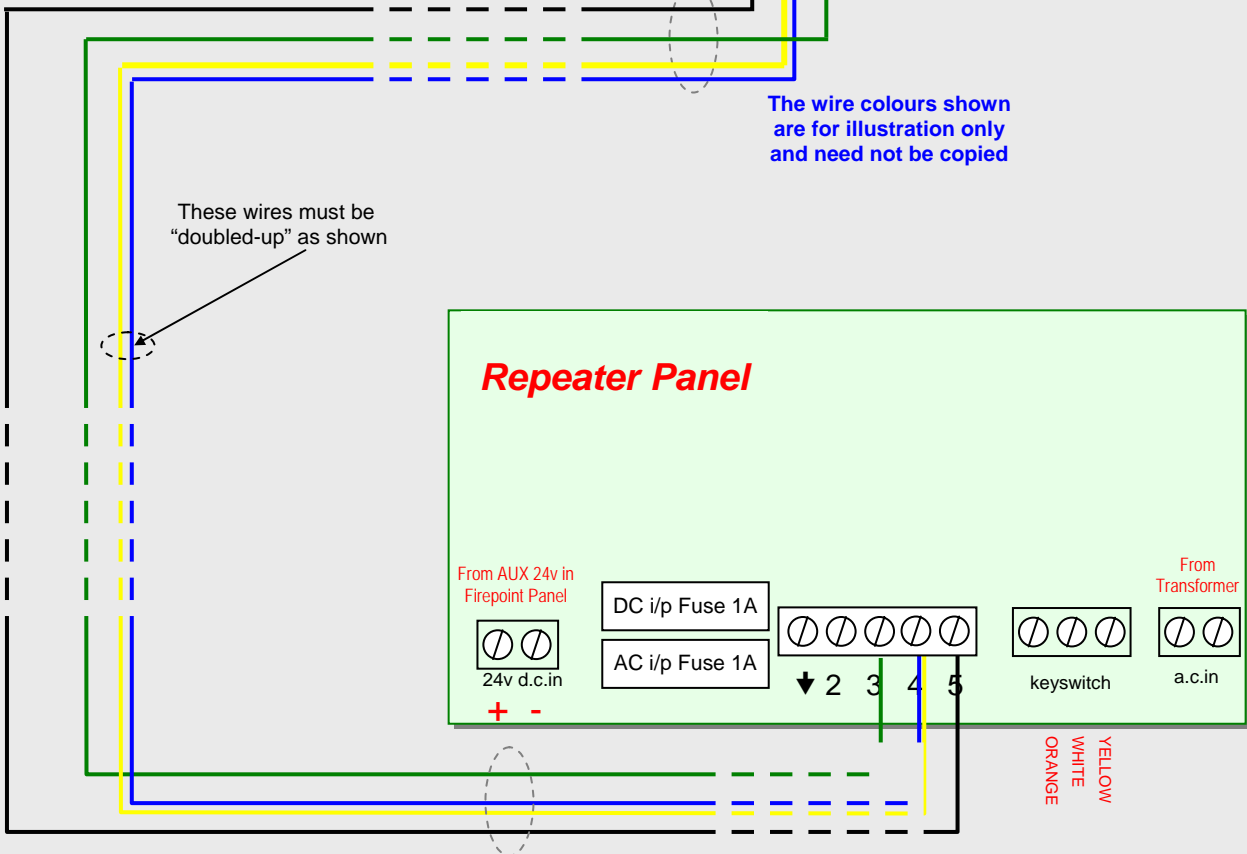
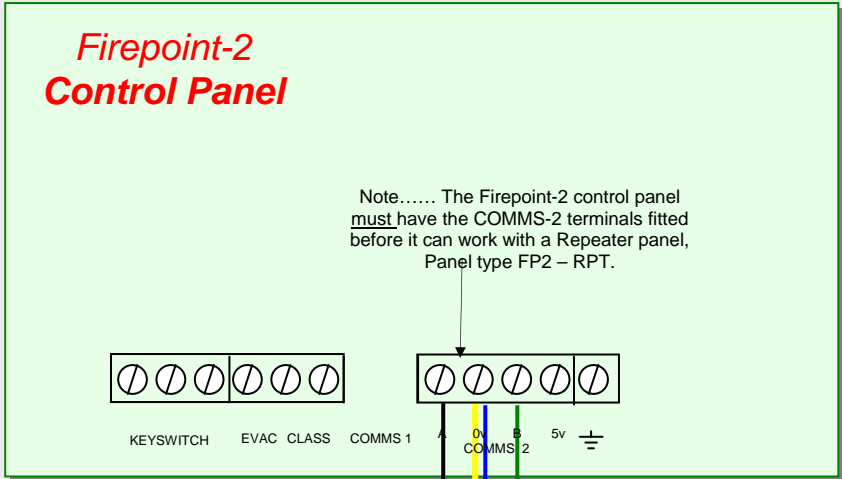


Connection details for the FirePoint Control Panel to the Firepoint Repeater panel



Use a screened cable to connect the Repeater Panel to the Firepoint-2 control panel; mount the Repeater Panel within 50 metres of the control panel

### Interconnection Notes...

The Firepoint Repeater panel requires either **24v dc from the Firepoint AUX output** OR **a local mains electricity supply (240v)**, preferably from the same electricity phase as the control panel.

A 4-core cable should be installed between the Firepoint control panel and the Repeater panel. Suitable cables are ..... 4-core FP200, 6-core screened 16/0.2 (twisted pairs) or similar.

If you use a 6-core cable you can use the 2 spare cores to power the repeater panel by connecting the AUX 24v output in the Firepoint-2 control panel to the "dc in" on the Repeater.

The cores between **0v** on the interface unit and **Term-4** on the Repeater should be doubled-up so that there is twice the thickness of conductor between these 2 terminals.

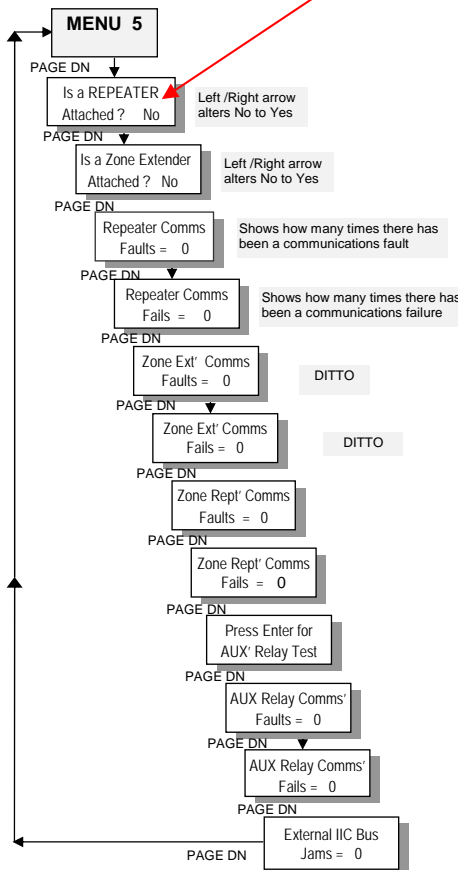
**THE 250mA AUX FUSE IN THE FIREPOINT PANEL HAS BEEN REPLACED WITH A 500mA ANTI-SURGE TYPE**

**Ensure there are no short-circuits on the wiring before connecting.**

Turn the repeater communications ON in Menu-5 as shown below

## MENU 5

After installing the Repeater Panel,  
set the option in MENU-5 to "Yes"



**MENU 5 is the Accessory menu which lets you Set-up and view the operation of Repeater Panel Zone Led Extender Auxiliary Relay Unit**